

# **DR<sup>®</sup> SCOUT<sup>™</sup>**

## **FIELD and BRUSH MOWER**

*Parts List & Assembly Diagrams*



**COUNTRY HOME PRODUCTS, INC.**

[www.dr-owner.com](http://www.dr-owner.com)

## **Parts List — Handlebar Assembly**

---

<b>Ref#</b>	<b>Part#</b>	<b>Description</b>
01	165361	Handlebar Assy w/Control Panel
02	120301	Screw, 3/8-16 x 1 1/2, Tri-Lobe
03	Deleted	
04	165201	Switch, snap-in, m/s
05	157201	Key, AT2 Ignition Switch
06	139051	Cable, Throttle, 50",Kaw, AT2
07	150491	Screw, 8-32 x 1/2
08	165171	Lever, 1", Wheel Clutch
09	164951	Grip, ergonomic, 1", handlebar
10	164971	Guard, Switch
11	175381	Cable, Traction Drive,
12	180951	Lever, Blade Engage, w/adapter
13	164961	Grip, plain, 1", Handlebar
14	178991	Cable, Blade Engage, F/B Scout
15	109161	Bolt, Eye
16	110691	Nut, 5/16-18
17	110761	Nut, nylon lock, 5/16-18
18	179231	Screw, M6 x 25mm
19	181731	Operator Presence, w/adapter

### Items Not Illustrated

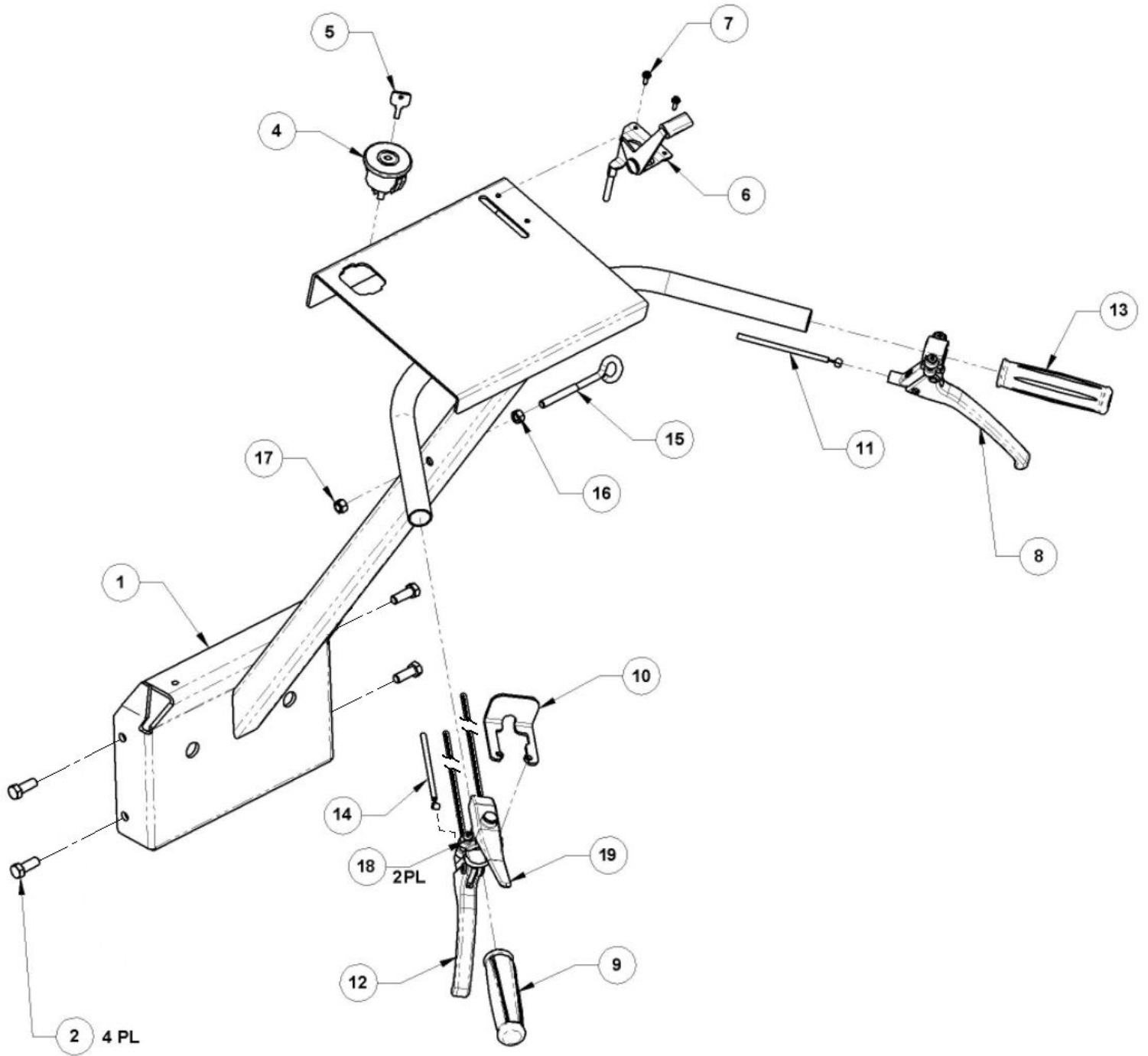
178901	A&O Manual, F/B Scout
152131	Engine Manual, B&S, All Intek
180941	Wire Harness, B&S, m/s,
112141	Cable Tie, 7 1/2, black

### Safety Labels

162651	Label, Control Panel, F/B Scout
179111	Label, Deck, F/B Scout
173351	Label, Gear Shift, F/B Scout
179251	Label, Shift Lever, F/B Scout
124371	Label, American Flag
127811	Label, Warning, Add Oil
136491	Label, Danger
136831	Label, Caution Hot Surface
137581	Label, Check Oil
148231	Label, Safety Icons
164371	Label, Belt Guide

# Schematic Drawing

---

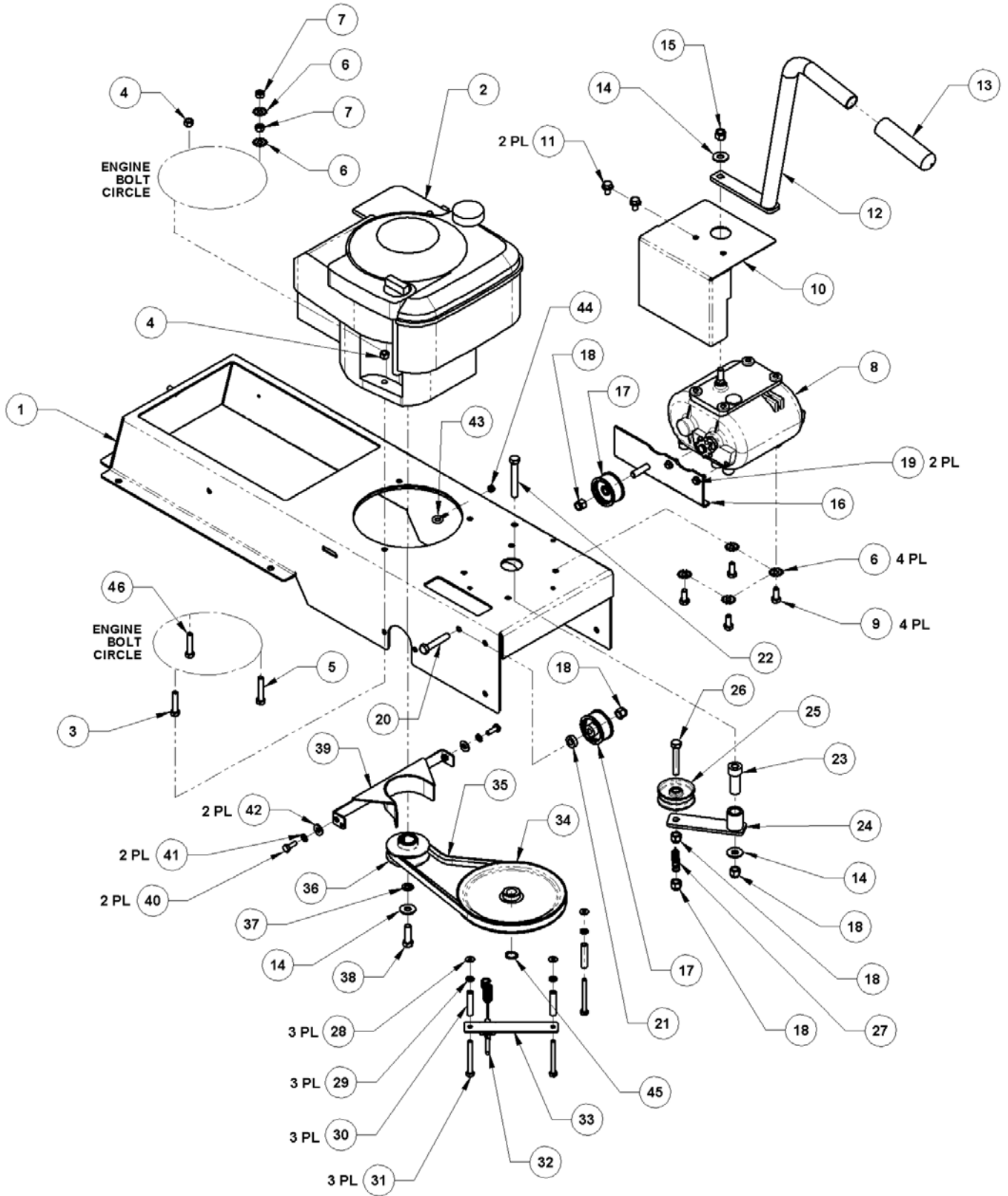


## Parts List—Frame & Drive Assembly

---

<u>Ref#</u>	<u>Part#</u>	<u>Description</u>	<u>Ref#</u>	<u>Part#</u>	<u>Description</u>
01	165341	Frame, Main, w/Engine Plate	25	113071	Pulley, Flat Idler, 2-1/4
02	174641	Engine, 7.0HP, B&S, m/s	26	157121	Bolt, HCS, 3/8-16 x 2-1/4
03	111591	Bolt, HCS, 5/16-18 x 2-1/2	27	150501	Spring, e, .438 OD x .045 wire
04	110761	Nut, nylon lock, 5/16-18	28	112371	Washer, flat, 10-24 USS
05	150451	Bolt, HCS, 5/16-18 x 1-3/4	29	101811	Washer, lock, 1/4
06	112501	Washer, lock, 5/16	30	173331	Guide, Belt, Trans Pulley
07	110691	Nut, 5/16-18	31	111461	Bolt, HCS, 1/4-20 x 2-1/2
08	175421	Transmission, 3 Fwd & 1 Rev	32	175381	Cable, Traction Drive
09	123211	Bolt, HCS, 5/16-18 x 3/4	33	165391	Anchor, Wheel Drive Cable
10	165421	Cover, Transmission, F/B Scout	34	173321	Pulley, V-belt, 7", F/B Scout
11	111731	Screw, 5/16-18 x 1/2, Tri-Lobe	35	150061	Belt, A31K, 1/2 x 33
12	172721	Lever, Shift, F/B Scout	36	175601	Pulley, Trans Drive, 2.75
13	150471	Grip, 1 OD Tube, 4.25L	37	165151	Washer, .385 ID x .691 OD
14	165141	Washer, flat, .385 ID x 1.390 OD	38	165131	Bolt, 3/8-24 x 1-1/4 gr 8
15	150771	Nut, nylon lock, 3/8-24	39	165431	Guide, Engine Belt, F/B Scout
16	172731	Plate, Chain Adjuster	40	119831	Bolt, HCS 1/4-20 x 3/4
17	150481	Pulley, Flat Idler, 1-7/8 OD	41	112481	Washer, lock, 1/4
18	110751	Nut, nylon lock, 3/8-16	42	112381	Washer, flat 1/4
19	165491	Screw, 1/4-20x 5/8, self tapping	43	175521	Bolt, eye 10-24
20	126861	Bolt, HCS 3/8-16 x 2	44	118731	Nut, nylon lock, 10-24
21	179221	Spacer, .750 OD x .390 ID	45	111241	Ring, retaining, 5/8, type SH
22	123371	Bolt, HCS 3/8-16 x 2.75	46	134431	Bolt, HCS, 5/16-18 x 1-1/2
23	173371	Bushing, Traction Drive Idler			
24	150611	Idler Arm, Traction Drive			

# Schematic Drawing

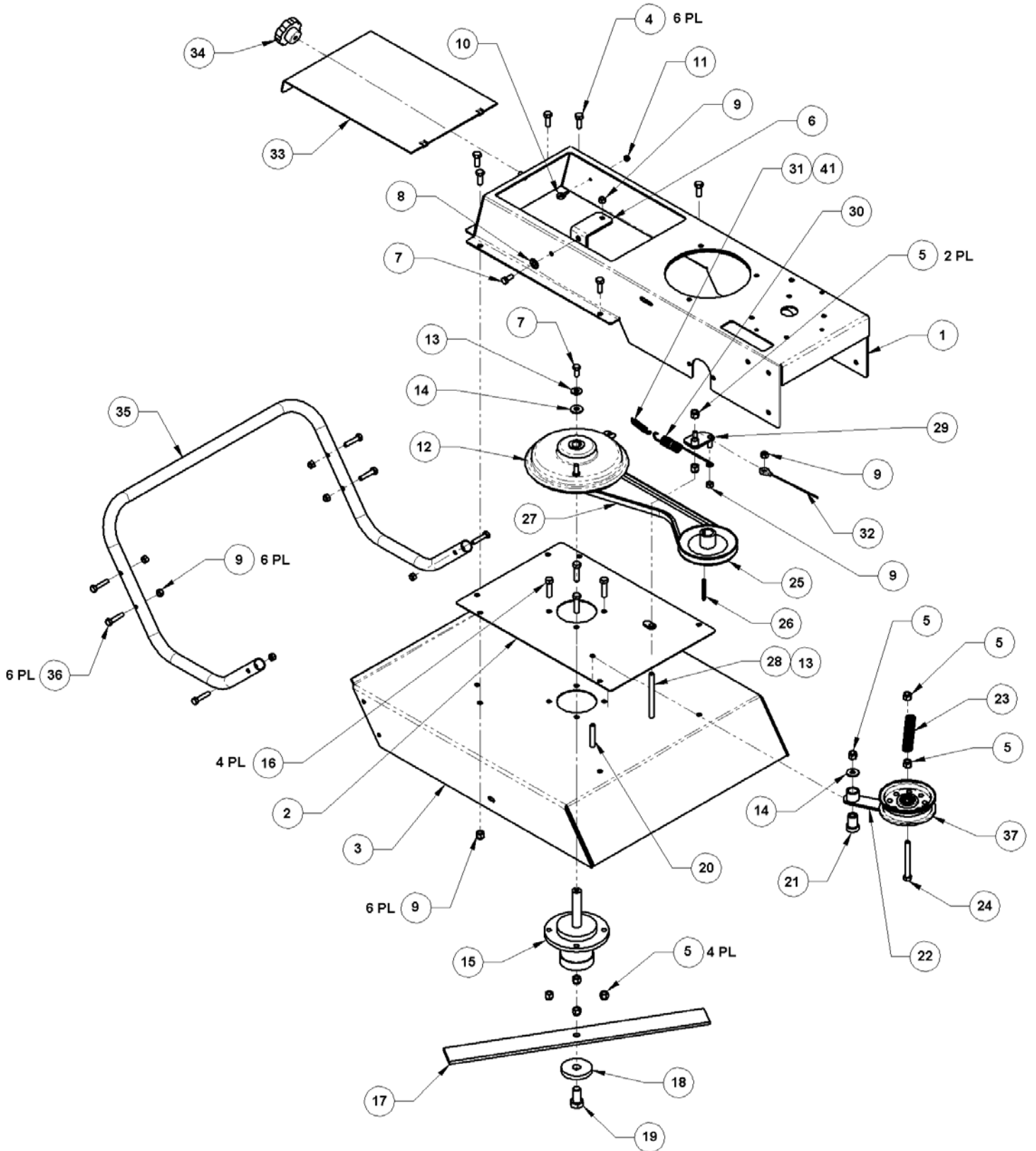


## Parts List—Deck Assembly

---

Ref#	Part#	Description	Ref#	Part#	Description
01	165341	Frame, Main, w/Engine Plate	22	165471	Arm, Idler, F/B Scout
02	173361	Plate, Deck, F/B Scout	23	101621	Spring, e, .750 OD x .105 wire
03	165351	Deck, 22", F/B Scout	24	179261	Bolt, 3/8-16 x 3-1/2, gr 5
04	123211	Bolt, HCS, 5/16-18 x 3/4	25	178801	Pulley, Deck Drive, 4.5"
05	110751	Nut, nylon lock, 3/8-16	26	101191	Key, square, 3/16 x 2
06	165451	Strap, Anti-rotation, Clutch	27	114431	Belt, 4L450, 1/2 x 45
07	123361	Bolt, HCS, 5/16-18 x 1-1/4	28	123431	Bolt, hex, 3/8-16 x 4-1/2
08	112501	Washer, lock, 5/16 split	29	179051	Cam, Blade Engagement
09	110761	Nut, nylon lock, 5/16-18	30	179061	Spring, e, .750 OD x .105 wire
10	175521	Bolt, eye, 10-24	31	150501	Spring, e, .438 OD x .045 wire
11	118731	Nut, nylon lock, 10-24	32	178991	Cable, Blade Engage, F/B Scout
12	175401	Clutch, PTO, F/B Scout	33	165381	Access Panel, F/B Scout
13	112431	Washer, lock, 5/16, split	34	143661	Knob, Handlebar, 5/16-18
14	165141	Washer, flat, .385 ID x 1.390 OD	35	165371	Push Tube w/skid, F/B Scout
15	175441	Spindle Housing, Brush Deck	36	134431	Bolt, HCS, 5/16-18 x 1-1/2
16	119851	Bolt, 3/8-16 x 1-1/2	37	180121	Pulley, Flat Idler, 3.25"
17	175371	Blade, air-tip, 22", F/B Scout	38	Deleted	
18	101771	Washer, .64 ID x 2.5 OD	39	112381	Washer, flat, 1/4, USS
19	175451	Bolt, 5/8-11 UNC 1-1/4 HHCS	40	109481	Cap, 1", round (not shown)
20	111531	Bolt, HCS, 3/8-16 x 2-1/4	41	140021	Tubing, 1/2"
21	173311	Bushing, Deck Tensioner			

# Schematic Drawing



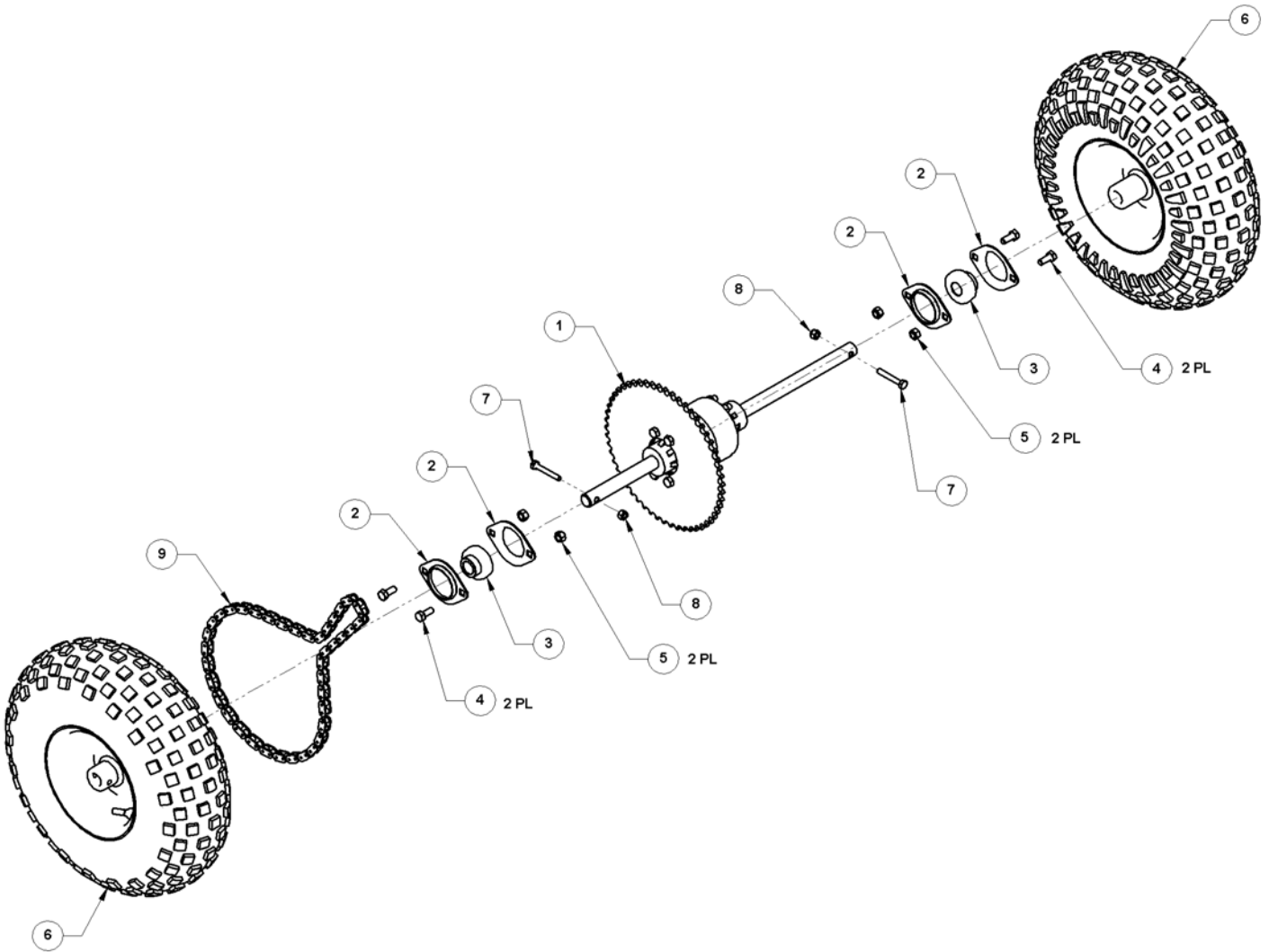
## **Parts List — Differential/Axle Assembly**

---

<b>Ref#</b>	<b>Part#</b>	<b>Description</b>
01	175571	Differential, 700-268
02	108921	Flange, Ball Bearing, 2-hole
03	152171	Bearing, Ball, 3/4 Bore
04	123211	Bolt, HCS, 5/16-18 x 3/4
05	110761	Nut, nylon lock, 5/16-18
06	175431	Wheel, 14.5x7-6 2ply, F/B Scout
07	111481	Bolt, HCS, 1/4-20 x 1-3/4
08	110731	Nut, nylon lock, 1/4-20
09	180151	Chain, #40, 77 link w/ML

# Schematic Drawing

---



## **Notes**

## Notes

## Daily Checklist for the DR SCOUT FIELD and BRUSH MOWER

- ✓ **OIL:** With the machine on a level surface, remove the oil fill cap and check the oil level. Fill the reservoir according to the dipstick with SAE30 HD motor oil.
- ✓ **GAS:** Fill the gas tank with fresh, unleaded gasoline.
- ✓ **ENGINE:** It is very important to keep the engine clean. Remove grass and other debris from the engine cooling fins and debris guard. A dirty engine retains heat and can cause damage to internal engine components.
- ✓ **BELTS:** Check the belts for wear, proper alignment and tension.
- ✓ **BLADE:** Check the blade for tightness, nicks and wear. Remove any wrapped weeds and grass from the blade bearing housing to prevent buildup.



COUNTRY HOME PRODUCTS, Inc.

---

**MEIGS ROAD, P.O. BOX 25, VERGENNES, VERMONT 05491**

1-800-DR-OWNER (376-9637) • [www.dr-owner.com](http://www.dr-owner.com)

©2004 CHP, Inc. 178911